



INSTALLATION INSTRUCTIONS

Accessory
BODY SIDE MOLDINGS

Application
2016 MDX

Publications No.
VERSION 1
Issue Date
JAN 2015

PARTS LIST

Left front body side molding



Right front body side molding



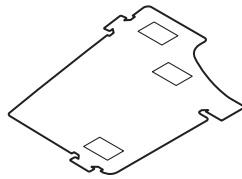
Left rear body side molding



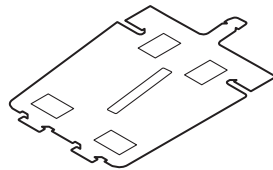
Right rear body side molding



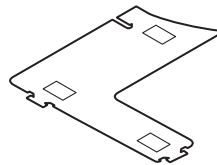
Front template



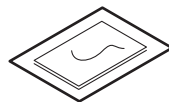
Middle template



Rear template



4 Alcohol swabs



TOOLS AND SUPPLIES REQUIRED

Masking tape

Ruler

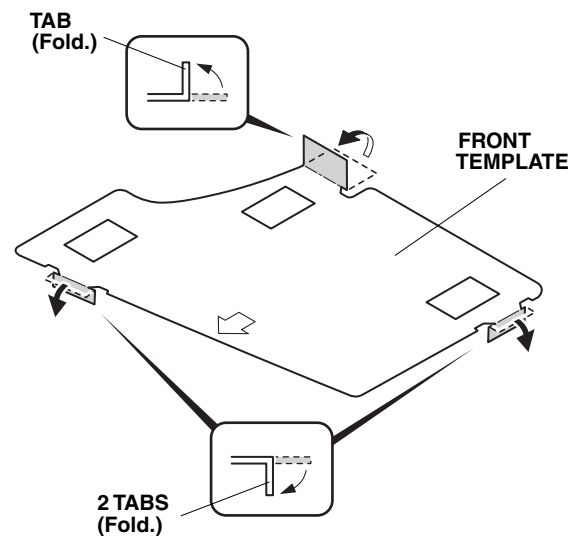
The following tool is available through the Honda Tool and Equipment Program. On the iN, click on: Service > Service Bay > Tool and Equipment Program, then enter the number under "Search". Or, call 888-424-6857.

- Rubber Roller (T/N MHLE54D)

INSTALLATION

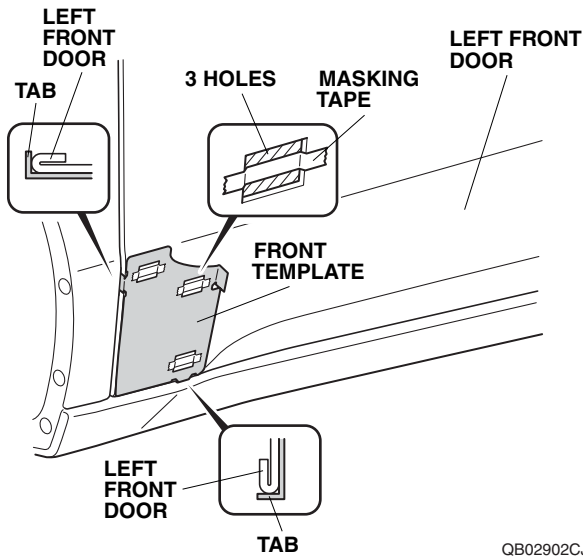
NOTE:

- If you are also installing door edge films (sold separately), install them after you install the body side moldings.
 - These installation instructions show the left body side moldings being installed. The same procedure applies to the right body side moldings.
 - Be careful not to damage the body paint finish.
 - This body side moldings kit should be installed only if the ambient air temperature is 15°C (60°F) or above.
 - To allow the adhesive to cure, do not wash the vehicle for 24 hours. Please advise the client.
1. Get the front template, and fold the three tabs in the direction shown.



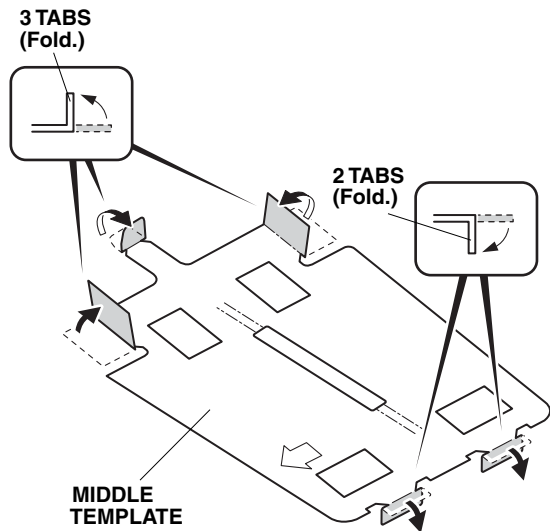
QB02901BJ

- Align the two tabs of the front template onto the left front door as shown.



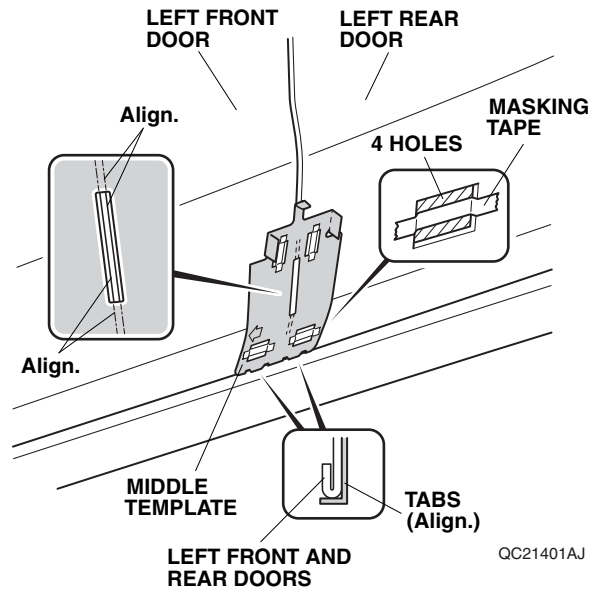
QB02902CJ

- Attach the front template to the left front door using strips of masking tape.
- Get the middle template, and fold the five tabs in the direction shown.



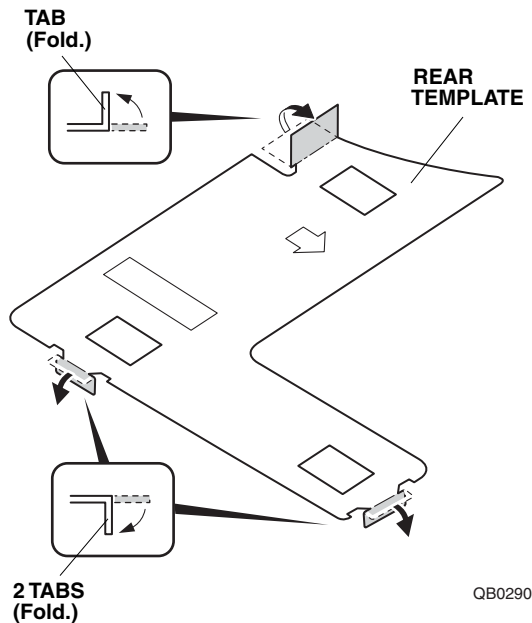
QB02903BJ

- Align the middle template onto the left front and rear doors as shown.



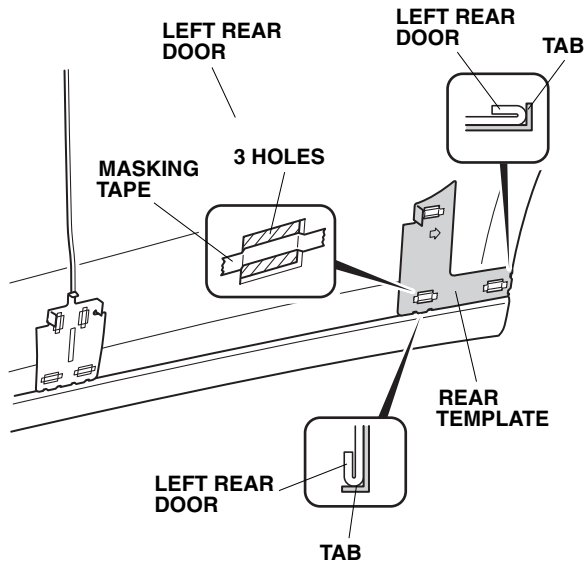
QC21401AJ

- Attach the middle template to the left front and rear doors using strips of masking tape.
- Get the rear template, and fold the three tabs in the direction shown.



QB02904BJ

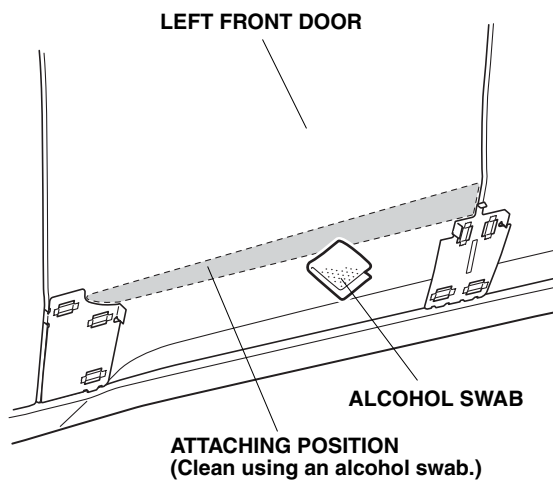
- Align the two tabs of the rear template onto the edge of the left rear door as shown.



QB02905BJ

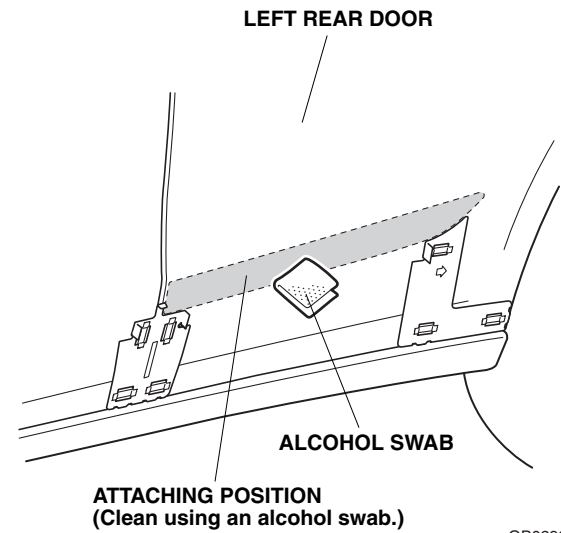
- Attach the rear template to the left rear door using strips of masking tape.
- Using two alcohol swabs, clean the doors surface above the templates where the body side moldings will attach. Allow the alcohol to dry before installing the body side moldings.

LEFT FRONT BODY SIDE MOLDING



QB02906BJ

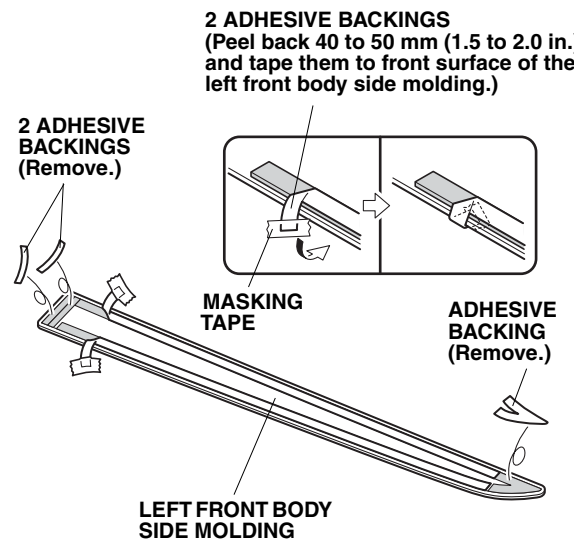
LEFT REAR BODY SIDE MOLDING



QB02907BJ

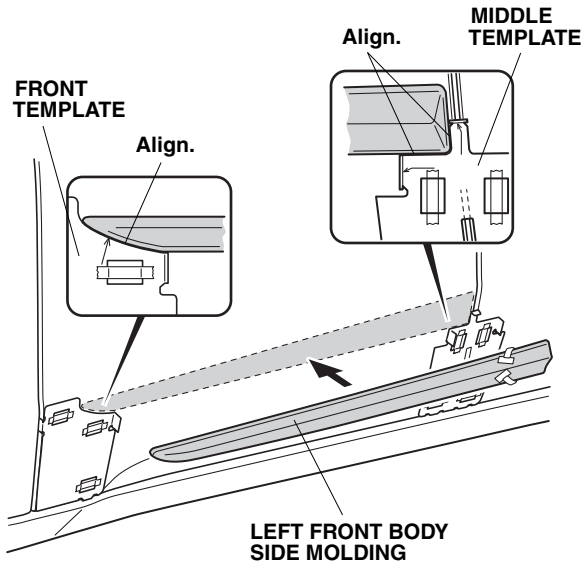
Installing the Front Body Side Moldings

- Peel back about 40 to 50 mm (1.5 to 2.0 in.) of adhesive backing from each adhesive strip, and tape the ends to the front surface of the left front body side molding. Remove the other adhesive backings.



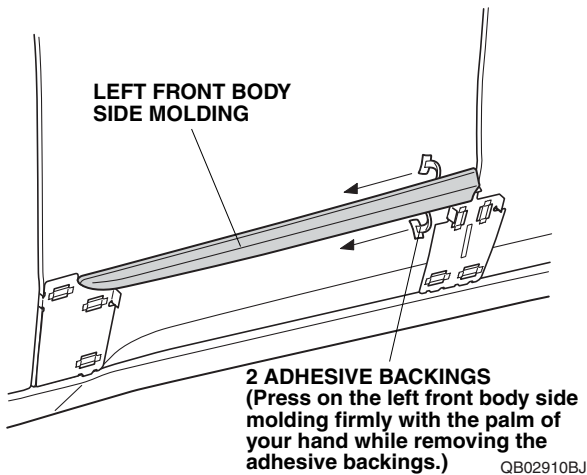
QB02908AJ

- Align the left front body side molding with the front and middle templates, and install the left front body side molding on the left front door.



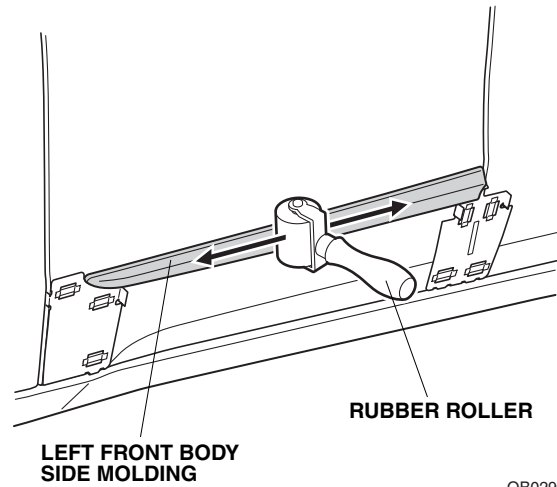
QB02909BJ

- Press on the left front body side molding firmly with the palm of your hand while removing about 50 to 100 mm (2.0 to 4.0 in.) of the adhesive backings at a time.



QB02910BJ

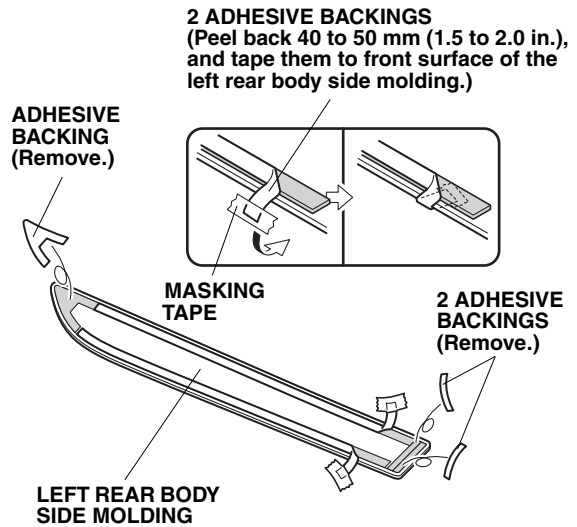
- Using the rubber roller, apply firm pressure while rolling to set the adhesive. Apply firm pressure especially at the ends.



QB02911BJ

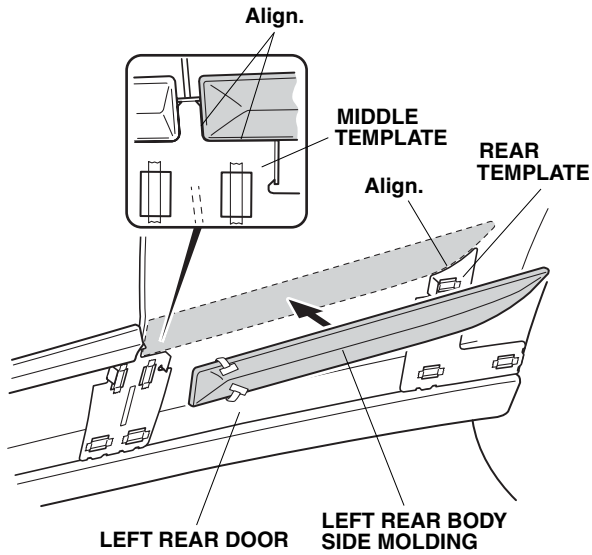
Installing the Rear Body Side Moldings

- Peel back about 40 to 50 mm (1.5 to 2.0 in.) of adhesive backing from each adhesive strip, and tape the ends to the front surface of the left rear body side molding. Remove the other adhesive backings.



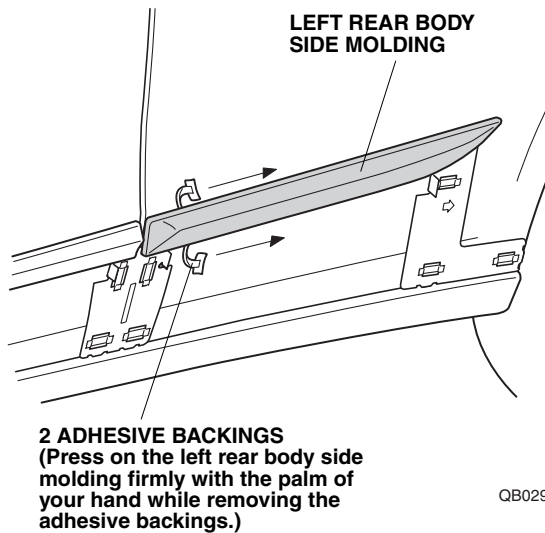
QB02912AJ

- Align the left rear body side molding with the middle and rear templates, and install the left rear body side molding on the left rear door.



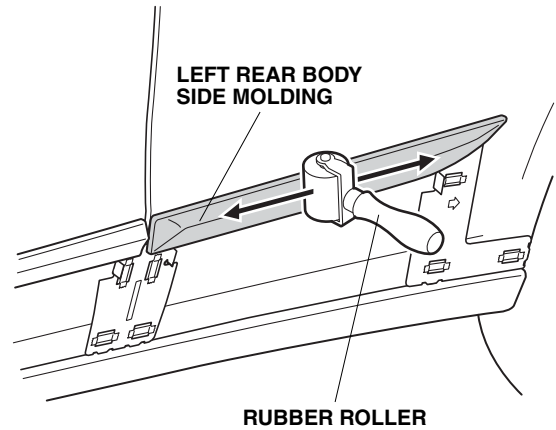
QB02913BJ

- Press on the left rear body side molding firmly with the palm of your hand while removing about 50 to 100 mm (2.0 to 4.0 in.) of the adhesive backings at a time.



QB02914BJ

- Using the rubber roller, apply firm pressure while rolling to set the adhesive. Apply firm pressure especially at the ends.



QB02915BJ

- Remove the front, middle, and rear templates.
- Turn the front, middle, and rear templates over, and repeat steps 1 through 19 to install the right body side moldings on the right side of the vehicle.